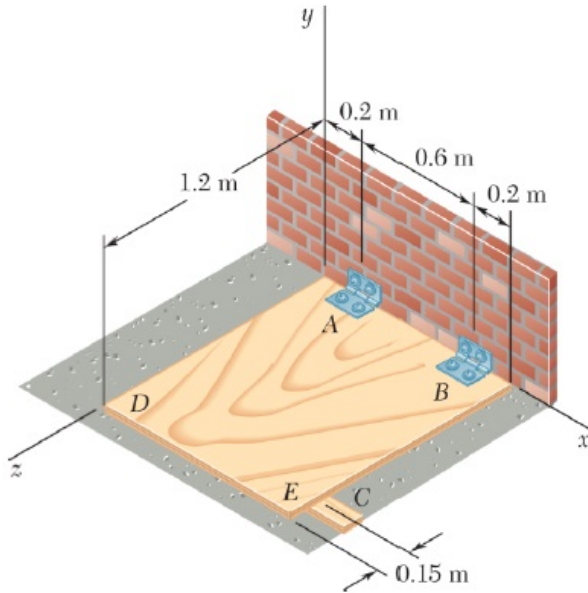


CVEN 221 Honors – Homework #12

- 1) **For Problem 3**, An opening in a floor is covered by a 1×1.2 -m sheet of plywood of given weight. The sheet is hinged at A and B and is maintained in a position slightly above the floor by the small block currently shown at point C. Write a program to determine the vertical component of the reaction at A, B, and under the block as the block is moved along an axis from point D to point E in increments of 0.05 m.



You may check your program by solving the problem given by McGraw-Hill Connect.